

Sawdust to Sequins

- *and everything in-between* -



Laundry Table (Fold and Iron)

Copyright © 2016 Sawdust to Sequins

Tools

Saw

Drill

Pocket Hole Jig

Sander

Stapler

Supplies

22 - 2.5" pocket hole screws

4 - 1.25" pocket hole screws

Safety Gear (glasses and hearing)

Fabric and backing (20"x40")

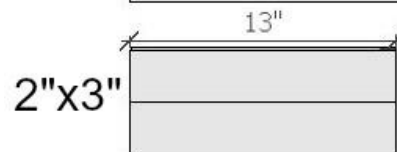
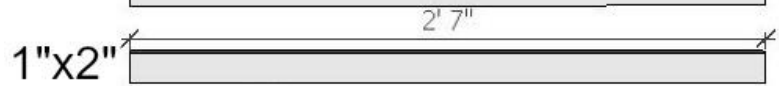
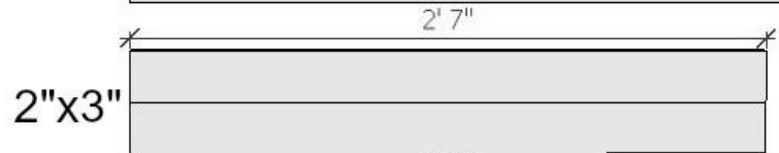
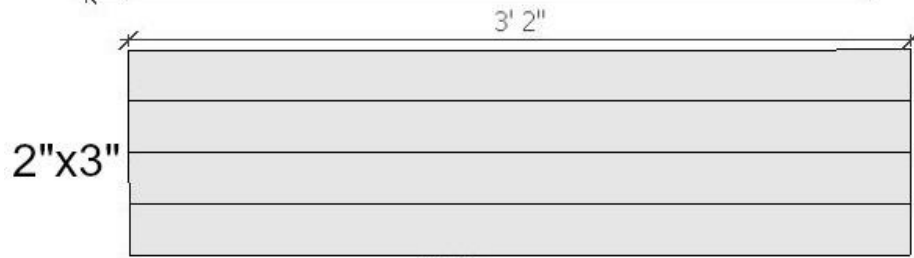
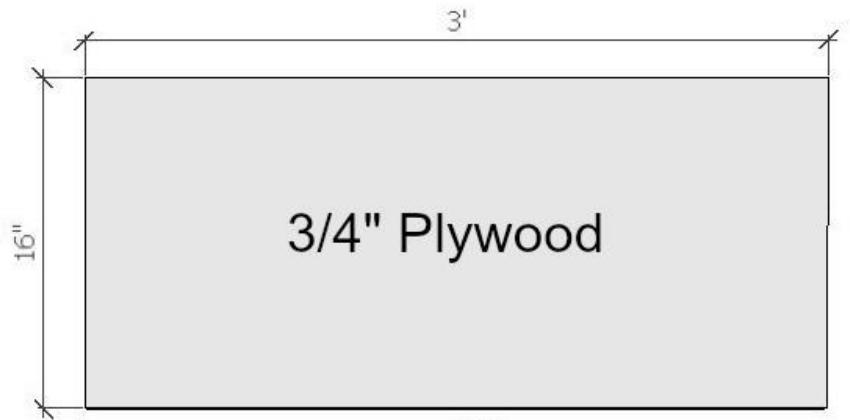
Tape Measure

Pen or Pencil

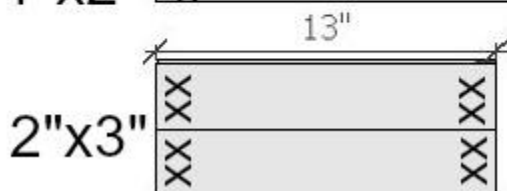
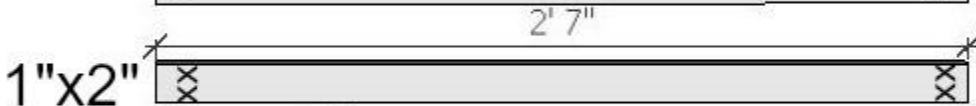
3/8" Staples

Cut List

- 1 – 3/4" Plywood @ 36"x16"
- 4 – 2"x3" boards @ 38"
- 2 – 2"x3" Boards @ 31"
- 1 – 1"x2" Board @ 31"
- 2 – 2"x3" Boards @ 13"



Pocket Hole Placement



X = pocket hole

Step 1

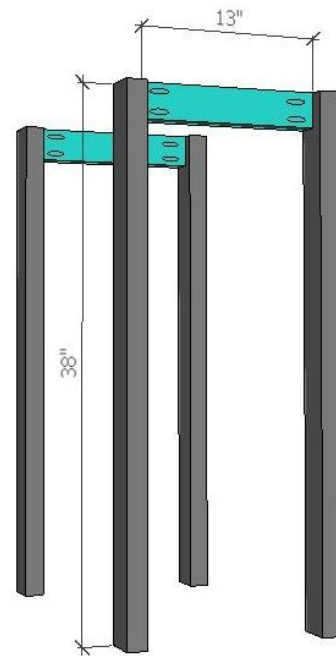
Cut your boards according to the cut list.

Step 2

Drill the pocket holes in the boards according to the diagram. Make sure to adjust your pocket hole jig when drilling for different size wood.

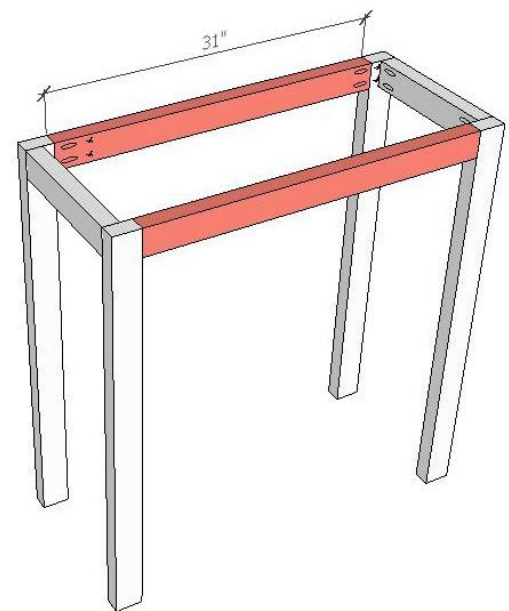
Step 3

Using 2.5" pocket hole screws, assemble the legs by joining the 13" 2"x3" board between two of the 38" 2"x3" boards. Assemble two leg units.



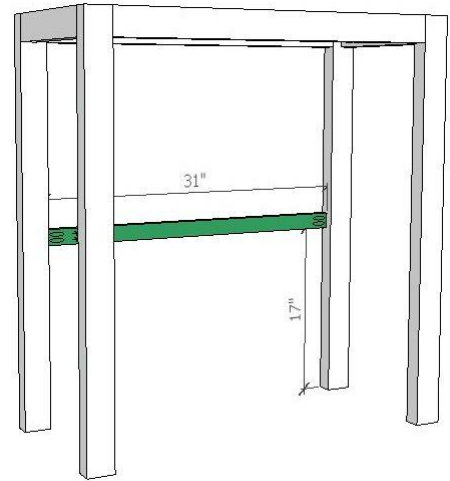
Step 4

Using 2.5" pocket hole screws, attach the front and back support boards (31" 2x3" boards) to the leg units to form the body of the table.



Step 5

Using 1.25" pocket hole screws attach the middle support board to the back legs of the table. Place this board 17" from the bottom.



Step 6

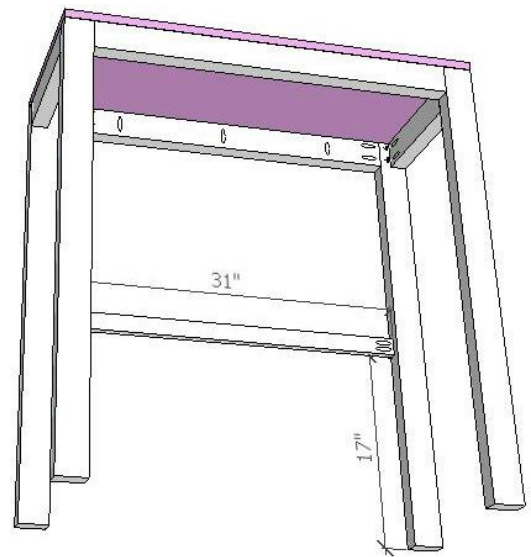
Cover your $\frac{3}{4}$ " plywood in backing then fabric of your choice. Your fabric and backing should be cut 2" larger than the plywood. Wrap the backing over the edge and staple around the perimeter of the plywood, pulling slightly tight to get the wrinkles out. Repeat this process with your fabric.

Step 7

Sand your table and finish with the paint or stain of your choice.

Step 8

Place the fabric covered top on the body of the table. Attach with 2.5" pocket hole screws.



Have fun with this build and visit sawdusttosequins.com for more FREE building plans!!